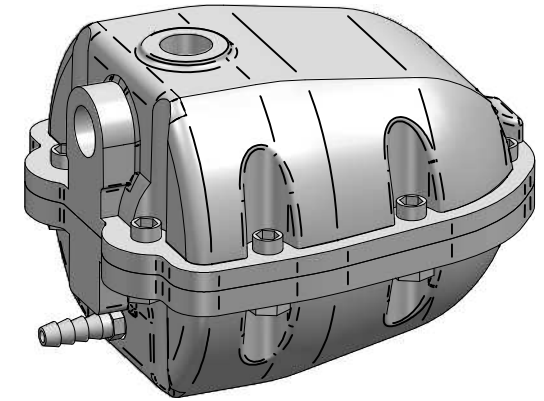
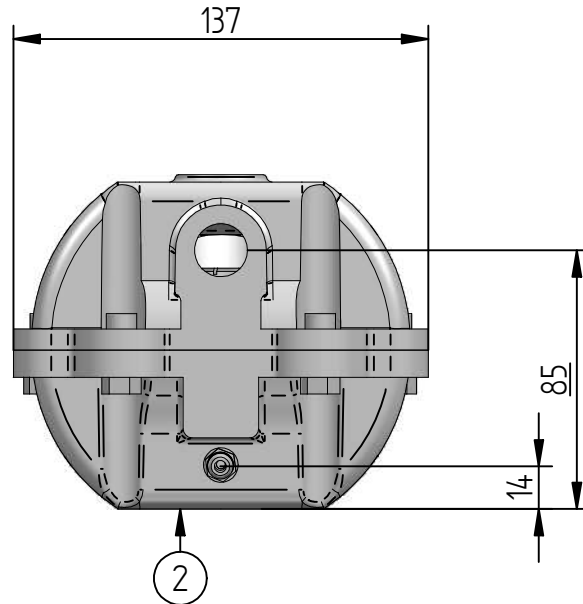
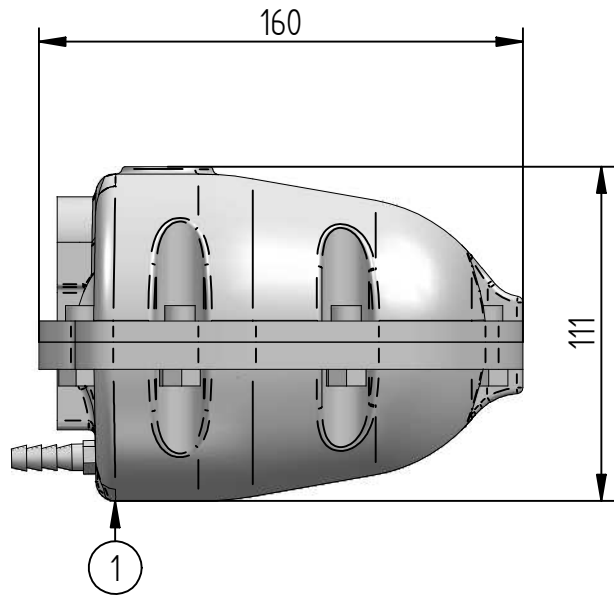


The original of this drawing is copyright and contains confidential information. It is property of JORC Industrial without whose permission it may NOT be copied, shown or handed to a third party or otherwise used and it is to be returned promptly upon request to JORC Industrial.




### MAGY SPECIFICATIONS

MAXIMUM FILTER CAPACITY	UNLIMITED
INLET CONNECTION AND HEIGHT	1/2" 8,5 CM FROM FLOOR
OUTLET CONNECTION	1/8"
MINIMUM SYSTEM PRESSURE	0 BAR
MAXIMUM SYSTEM PRESSURE	16 BAR
MINIMUM MEDIUM TEMPERATURE	2 °C
MAXIMUM MEDIUM TEMPERATURE	50 °C
TYPE OF OPERATING VALVE	DIRECT ACTING
VALVE SEALS	VITON (FPM)
HOUSING MATERIAL	ALUMINIUM

2: Side view

1: Front view

	NAME	DATE			
DRAWN	FK	02-05-2007			
CHECKED			MAGY	ARTIKEL NUMBER: 3903	
JORC industrial BV Pretoriastraat 28 6413 NN, Heerlen, The Netherlands National Tel: 045 524 24 27 Fax: 045 524 19 79 International Tel +31 45 524 24 27 Fax +31 45 524 19 79			SIZE A4	REV A	
All dimensions are in millimetres unless otherwise stated					
				SHEET: 1/3	